



# Lexmark CS921de

The Lexmark CS921de delivers high-volume color printing at up to 35 pages per minute (A4/letter) and multi-format output up to SRA3/12x18 with optional finishing.

## Part Number

32C0000

## Print Technology

Color Laser

## Function

Color Printing

## Workgroup Size

Medium-Large Workgroup

## Touch Screen Display

Yes

## Display

Lexmark e-Task 4.3-inch (10.9 cm) colour touch screen

## Print Speed (Letter, Black)

Up to 35 ppm<sup>6</sup>

## Print Speed (Letter, Color)

Up to 35 ppm<sup>6</sup>

## Print Speed (Letter, Black) Duplex

Up to 35 spm<sup>6</sup>

## Time to First Page (Black)

As fast as 7 seconds

## Time to First Page (Color)

As fast as 7 seconds

## Duplex (2-sided) Printing

Integrated Duplex

## Print Resolution, Black

1200 x 1200 dpi, 2400 Image Quality

## Print Resolution, Color

1200 x 1200 dpi, 2400 Image Quality

## Processor Speed

Quad Core 1.2 GHz

## Memory, Standard

1024 MB

## Memory, Maximum

3072 MB

## Hard Disk

Option available

## Apple Operating Systems Supported

Apple OS X (10.6, 10.7, 10.8, 10.9, 10.10, 10.11, 10.12)

## Citrix MetaFrame

Microsoft Windows Server 2008 and 2008 X64 Edition with Citrix XenApp 5.0, Microsoft Windows Server 2008 R2 with Citrix XenApp 6.0, 6.5, Microsoft Windows Server 2012 with Citrix XenApp 6.0, 6.5

## Linux Operating Systems Supported

Debian GNU/Linux 7.0, 8.0, Fedora 21, 22, Linpus Linux Lite Desktop 2.1, Linux Mint 13 LTS, 17 LTS, 17.1 LTS, 17.2 LTS, Linux Mint 2 Debian, PCLinuxOS 2014.12, Red Hat Enterprise Linux WS 4, 5, 6, 7, SUSE Linux Enterprise Desktop 10, 11, 12, SUSE Linux Enterprise Server 10, 11, 12, Ubuntu 12.04 LTS, 14.04 LTS, 15.04, openSUSE 13.1, 13.2, openSUSE Tumbleweed

## Microsoft Windows Operating Systems Supported

Windows XP, Windows XP x64, Windows Vista, Windows Vista x64, Windows Server 2008, Windows Server 2008 x64, Windows 7, Windows 7 x64, Windows Server 2008 R2, Windows 8, Windows 8 x64, Windows Server 2012, Windows 8.1, Windows 8.1 x64, Windows Server 2012 R2, Windows RT, Windows RT 8.1, Windows 10

## Novell Operating Systems Supported

Novell NetWare 6.5 Open Enterprise Server, Novell Open Enterprise Server on SuSE Linux Enterprise Server 10 SP4 (x86 and x64), Novell Open Enterprise Server on SuSE Linux Enterprise Server 11 SP4 (x86 and x64), Novell Open Enterprise Server on SuSE Linux Enterprise Server 12 SP1 (x86 and x64)

## UNIX Operating Systems Supported

Sun Solaris x86 10, 11, IBM AIX 5.3, 6.1, 7.1, Sun Solaris SPARC 10, 11

## Included Paper Handling

Integrated Duplex, 250-Sheet Output Bin, 150-Sheet Multipurpose Feeder, 2 x 500-Sheet Input

## Optional Paper Handling

Staple Finisher, Staple Punch Finisher, 2500-Sheet Tandem Tray, 3000-Sheet Tray, Booklet Finisher, 2 x 500-Sheet Tray

## Paper Input Capacity, Standard

Up to 1150 pages 20 lb or 75 gsm bond

## Paper Input Capacity, Maximum

Up to 6650 pages 20 lb or 75 gsm bond

## Paper Output Capacity, Standard

Up to 250 pages 20 lb or 75 gsm bond

## Paper Output Capacity, Maximum

Up to 3500 pages 20 lb or 75 gsm bond

## Paper Weight Range Supported - Standard Tray (lb.)

16 - 47 lb.

## Paper Weight Range Supported - Multipurpose Feeder (lb.)

16 - 47 lb.

## A3 / 11 x 17

Yes

## Finishing Option

Yes

## Finishing Functions

Offset stacking, Stapling, Hole punching, Booklet fold and saddle stapling

## Number of Paper Inputs, Standard

3

## Number of Paper Inputs, Maximum

6

## Media Types Supported

Card Stock, Envelopes, Labels, Plain Paper, Vinyl Labels, Refer to the Card Stock & Label Guide., Banner Paper

## Media Sizes Supported

10 Envelope, 7 3/4 Envelope, 9 Envelope, A3, A4, A5, B5 Envelope, C5 Envelope, DL Envelope, Executive, Folio, JIS-B4, Legal, Letter, 4 x 6", Statement, Universal, Super Tabloid (12 x 18"), Oficio, A6, SRA3

## Standard Ports

One Internal Card Slot, USB 2.0 Specification Hi-Speed Certified (Type B), Gigabit Ethernet (10/100/1000), Front USB 2.0 Specification Hi-Speed Certified port (Type A), Two Rear USB 2.0 Specification Hi-Speed Certified ports (Type A)

## Optional Local Ports

External RS-232C serial, Internal 1284-B Bidirectional Parallel

## Optional Network Ports

Internal MarkNet N8360 802.11b/g/n Wireless, NFC, MarkNet N8230 Fiber Ethernet Print Server

## Direct USB

Yes

## Ethernet Network

Yes

## Wireless

Wireless Option

## Network Protocol Support

TCP/IP IPv4, TCP/IP IPv6, TCP, UDP

## Network Printing Methods

LPR/LPD, Direct IP (Port 9100), Enhanced IP (Port 9400), Secure IP (Port 96xx), FTP, TFTP, ThinPrint .print integration, Telnet, IPP 1.0, 1.1, 2.0 (Internet Printing Protocol), Microsoft Web Services WSD, Pull Printing

## Network Management Protocols<sup>1</sup>

HTTP, HTTPs (SSL/TLS), SNMPv1, SNMPv2c, SNMPv3, WINS, IGMP, BOOTP, RARP, APIPA (AutoIP), DHCP, ICMP, DNS, Bonjour, DDNS, mDNS, ARP, NTP, Telnet, Finger,

## Network Security

SNMPv3, 802.1x Authentication: MD5, MSCHAPv2, LEAP, PEAP, TLS, TTLS, IPsec

## Printable Area

0.165, 0.118, 0.118, 0.118 inches of the top, bottom, right and left edges (within)

**Printer Languages (Standard)**

PCL 5c Emulation, PCL 6 Emulation, Personal Printer Data Stream (PPDS), PostScript 3 Emulation, Direct Image, Microsoft XPS (XML Paper Specification), AirPrint™, PDF 1.7 emulation

**Fonts and Symbol Sets**

3 of 9 scalable PCL 5e fonts in Narrow, Regular and Wide, 2 PCL bitmap fonts, 39 scalable PPDS fonts, 84 scalable PCL fonts, OCR-A, OCR-B scalable PCL 5e fonts, For more information, refer to the Technical Reference., 165 scalable PostScript fonts, 15 PPDS bitmap fonts

**Laser Cartridge Yields (up to)<sup>5</sup>**

, 18,500-page Black Cartridge, 11,500-page Color (CMY) Cartridges

**Photoconductor Estimated Yield**

Up to 100000 Black / 90000 (CMY) pages, based on 3 average letter/A4-size pages per print job and ~ 5% coverage<sup>4</sup>

**Cartridge(s) Shipping with Product**

6,000-page Colour (CMY) Toner Cartridges, 5,000-page Black Toner Cartridge

**Replacement Cartridges:**

Product functions only with replacement cartridges designed for use in a specific geographical region. See [www.lexmark.com/](http://www.lexmark.com/) regions for more details.

**Packaged Size (in. - H x W x D)**

41.6 x 29.8 x 35.9 in.

**Packaged Weight (lb.)**

226 lb.

**Size (in. - H x W x D)**

30.7 x 24.2 x 29.6 in.

**Weight (lb.)**

195.4 lb.

**Size, Trays Extended (in. - H x W x D)**

30 x 37.5 x 44.38 in.

**Noise Level, Idle**

25 dBA

**Noise Level (Print), Operating**

51 dBA

**Duplex Print Noise Level, Operating**

53 dBA

**ENERGY STAR**

Yes

**Average Power (Hibernate Mode)**

0.2 watts

**Average Power (Sleep Mode)**

2.2 watts

**Average Power (Ready Mode)**

140 watts

**Average Power (Printing)**

575 watts

**ENERGY STAR Typical Electricity Consumption (TEC)**

2.3 kilowatt-hours per week

**Limited Warranty - See Statement of Limited Warranty**

1-Year Onsite Service, Next Business Day

**Product Certifications**

ENERGY STAR, ICES-003 Class A, BSMI Class A, VCCI Class A, FCC Class A, NOM-032, UL, cUL, NOM, US FDA/CDRH, IEC 60825-1, CB Report, ISO-532B, CE (EU) DoC, EFTA (CE), KC logo, CCC, C-tick DoC, EuP, CECP, CEL, EC 1275/2008, ECMA-370, TED, SII, TER, SABS, UL-AR, GS Mark, Green Dot, ISO-9296, COC, CCD-035 EcoLogo, Green Mark, EPEAT, Blue Angel (Blauer Engel)

**Maximum Monthly Duty Cycle**

Up to 150000 pages per month<sup>3</sup>

**Recommended Monthly Page Volume**

4000 - 20000 pages<sup>2</sup>

**Specified Operating Environment**

Altitude: 0 - 2500 Meters (8,200 Feet), Temperature: 10 to 40°C (50 to 104°F), Humidity: 15 to 85% Relative Humidity

**License/Agreement Terms**

Printers are sold subject to certain license/agreement conditions. See [www.lexmark.com/](http://www.lexmark.com/) printerlicense for details.

**Country of Origin**

China (PR)

**UNSPSC Code**

43212105

**Harmonized Tariff Code**

8443.32.1010

**Developer Unit(s) Estimated Yield**

Up to 600000 pages, based on 3 average letter/A4-size pages per print job and ~ 5% coverage

<sup>1</sup>This product includes software developed by the OpenSSL Project for use in the OpenSSL Toolkit. (<http://www.openssl.org/>)

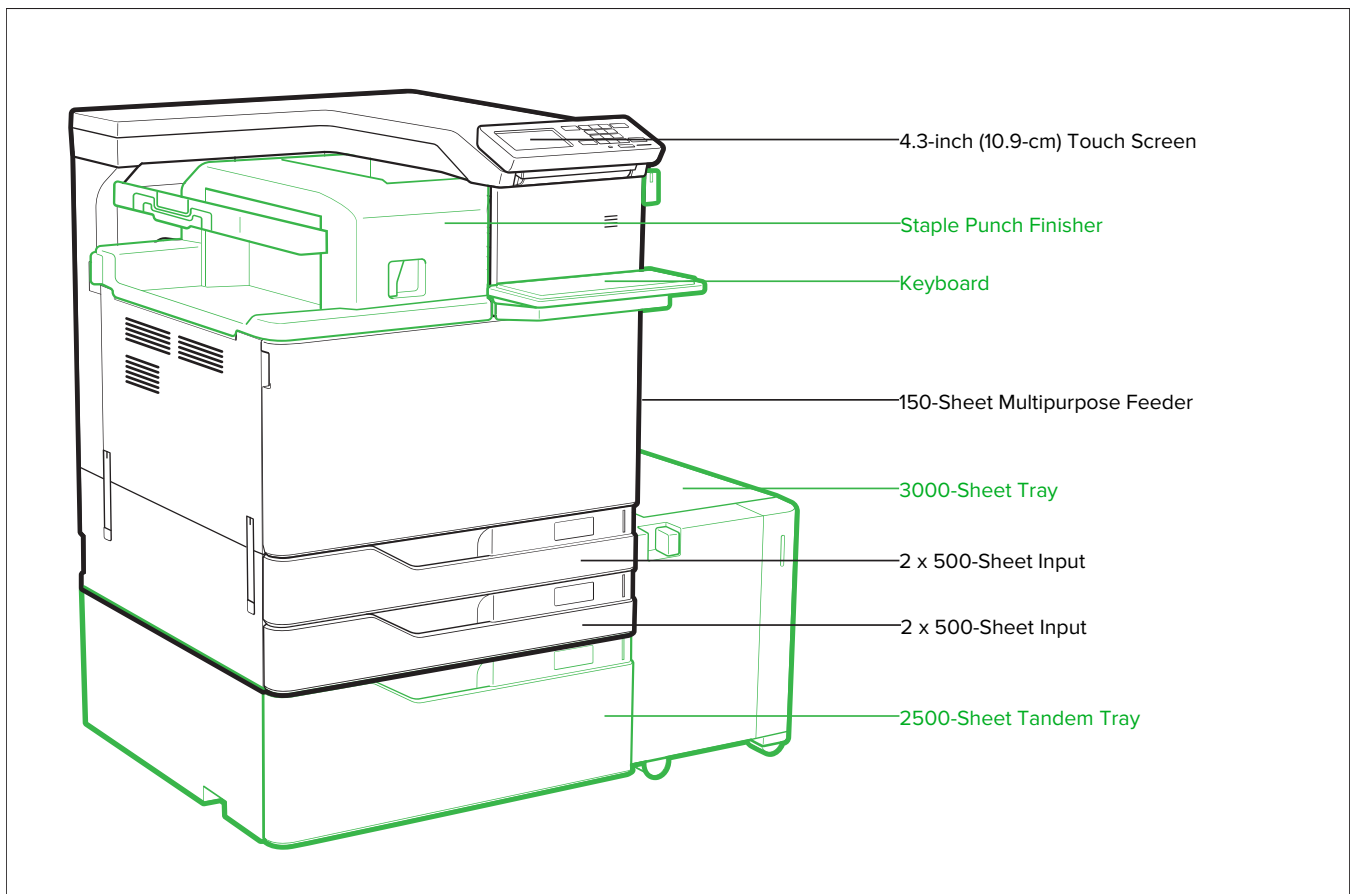
<sup>2</sup>"Recommended Monthly Page Volume" is a range of pages that helps customers evaluate Lexmark's product offerings based on the average number of pages customers plan to print on the device each month. Lexmark recommends that the number of pages per month be within the stated range for optimum device performance, based on factors including: supplies replacement intervals, paper loading intervals, speed, and typical customer usage.

<sup>3</sup>"Maximum Monthly Duty Cycle" is defined as the maximum number of pages a device could deliver in a month using a multishift operation. This metric provides a comparison of robustness in relation to other Lexmark printers and MFPs.

<sup>4</sup>Actual Yield may vary based on other factors such as device speed, paper size and feed orientation, toner coverage, tray source, percentage of black-only printing and average print job complexity.

<sup>5</sup>Average continuous black or continuous composite CMY declared cartridge yield up to this number of standard pages in accordance with ISO/IEC 19798.

<sup>6</sup>Print and copy speeds measured in accordance with ISO/IEC 24734 and ISO/IEC 24735 respectively (ESAT). For more information see: [www.lexmark.com/ISOspeeds](http://www.lexmark.com/ISOspeeds).



<b>P/N Toner Cartridges</b>		<b>P/N Paper Handling</b>		<b>P/N Connectivity</b>	
76C00C0	CS921,CS923,CX920,CX921,CX922,CX923,CX924 Cyan Toner Cartridge	26Z00824	CS92x, CX92x, MS911, MX91x Booklet Finisher (4-Hole)	27X0142	Lexmark MarkNet™ N8230 Fiber Ethernet Print Server
76C00M0	CS921,CS923,CX920,CX921,CX922,CX923,CX924 Magenta Toner Cartridge	26Z00824	CS92x, CX92x, MS911, MX91x Staple Punch Finisher (4-Hole)	57X7050	English Keyboard Kit
76C00Y0	CS921,CS923,CX920,CX921,CX922,CX923,CX924 Yellow Toner Cartridge	26Z00824		1021231	Parallel Cable (10-foot)
76C00K0	CS921,CS923,CX920,CX921,CX922,CX923,CX924 Black Toner Cartridge	26Z0090	<b>P/N Furniture</b>	1021294	USB Cable (2-meter)
76COPK0	CS/X92x Series, C/XC 9200 Series Black Photoconductor Unit	26Z0090	Cabinet with casters	14F0100	RS-232C Serial Interface Card
76COPV0	CS/X92x, C/XC 9200 Series CMY Photoconductor Unit		Working Shelf	14F0000	Parallel 1284-B Interface Card
25A0013	Staple Cartridges (3 pack)			SPD0001	Surge Protective Device, 110-120V
54GOW00	Waste Toner Bottle				
<b>P/N Paper Handling</b>		<b>P/N Memory Options</b>			
32C0050	CS92x, CX92xde 2 x 500-Sheet Tray	27X0400	320+ GB Hard Disk		
32C0051	CS92x, CX92xde 2500-Sheet Tandem Tray (Letter)	57X9016	1024MBx32 DDR3-DRAM		
32C0052	CS92x, CX92xde 2500-Sheet Tandem Tray (A4)	57X9012	2048MBx32 DDR3-DRAM		
26Z0083	MS911, MX91x Booklet Finisher (3- Hole)	57X9101	256MB Flash Memory Card		
26Z0081	MS911, MX91x Staple Punch Finisher (3-Hole)	57X9110	Traditional Chinese Font Card		
26Z0084	MS911, MX910, MX911 Inline Stapler	57X9112	Simplified Chinese Font Card		
26Z0088	3000-Sheet Tray	57X9114	Korean Font Card		
26Z0091	MS911, MX91x Banner Media Tray	57X9115	Japanese Font Card		
		<b>P/N Application Solutions</b>			
		40C9201	Card for IPDS		
		40C9200	Forms and Bar Code Card		
		40C9202	Card for PRESCRIBE Emulation		
		<b>P/N Connectivity</b>			
		27X0309	MarkNet N8360 Wireless Print Server plus NFC Mobile Solutions Module		